



Producer: **Copeland**  
Line: **ZP**  
Cooling capacity [kW]: **50.15**  
Displacement [m<sup>3</sup>/h]: **60.8**  
Refrigerant: **R410A**  
Capacity control: **None**  
Power supply: **400V/3Ph/50Hz**

## Data

### Technical data

Displacement	[m <sup>3</sup> /h]	60.8
Oil charge	[l]	6.30
Oil type		POE RL32-3MAF
Internal free volume	[dm <sup>3</sup> ]	31.6
Net weight	[kg]	176.00

### Electrical data and limits

Power supply		400V/3Ph/50Hz
Maximum continuous current	[A]	65.4
Locked rotor amperage	[A]	310.0
Motor resistance main	[Ω]	0.36
Maximum suction pressure	[bar]	29.5
Maximum discharge pressure	[bar]	45.0
Maximum suction temperature	[°C]	50.0
Minimum suction temperature	[°C]	-35.0

### Dimensions

Suction tube diameter	[inch]	1 5/8
Discharge tube diameter	[inch]	1 3/8
Length	[mm]	447
Height	[mm]	724
Width	[mm]	427

### Other

Approved refrigerants	R410A
Allowed oil types	POE RL32-3MAF
Capacity control	None
Protection rating	IP54 (IEC34)

## Performance

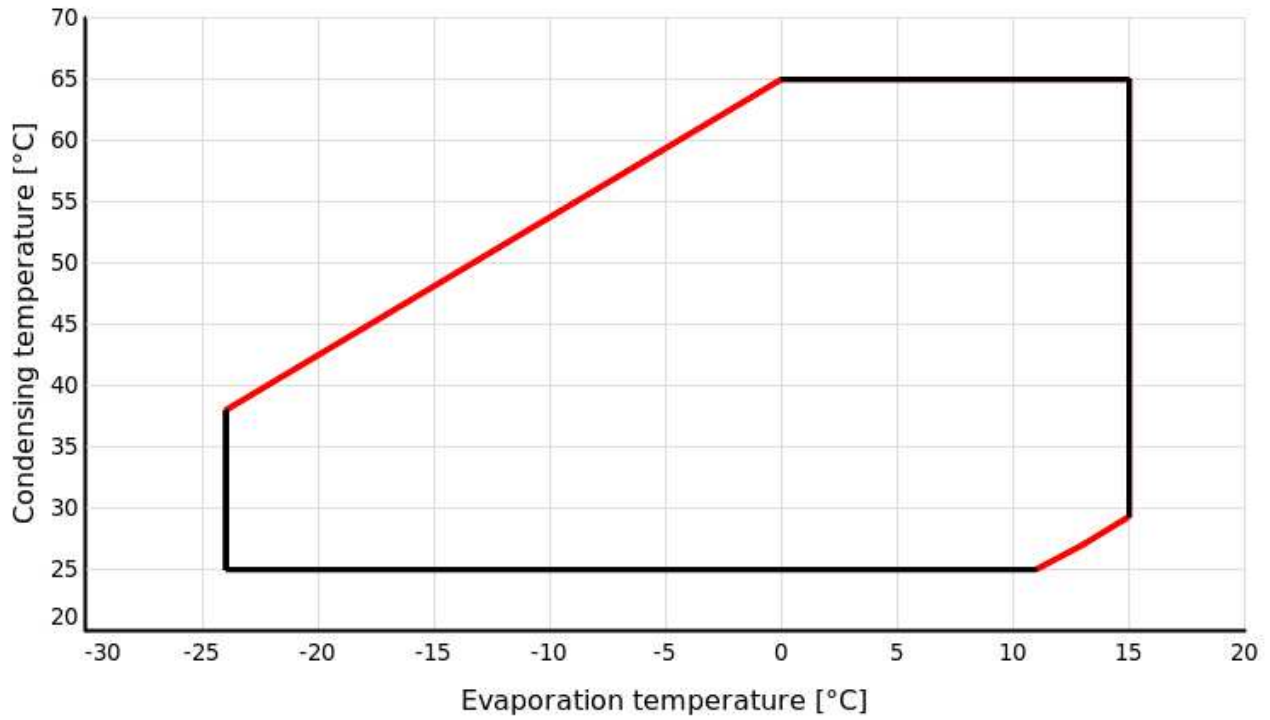
Nominal conditions: refrigerant: R410A, evaporation: -10°C (dew point), condensation: 45°C (dew point), superheating: 10K, subcooling: 0K

### Cooling capacity

		Evaporation temperature [°C]									
		-20	-15	-10	-5	0	5	7	10	12.5	15
Condensation temperature [°C]	25	42.39	52.50	64.32	78.04	93.87	112.00	119.93	132.61		
	30	39.92	49.65	60.99	74.14	89.30	106.66	114.27	126.42	137.26	148.77
	35	37.42	46.70	57.51	70.04	84.48	101.03	108.28	119.87	130.22	141.21
	40	34.87	43.67	53.90	65.75	79.42	95.10	101.97	112.97	122.79	133.24
	45		40.56	<b>50.15</b>	61.28	74.12	88.87	95.34	105.72	114.99	124.85
	50			46.27	56.60	68.56	82.32	88.37	98.08	106.76	116.02
	55				51.70	62.71	75.41	81.01	90.01	98.07	106.67
	60					56.47	68.03	73.14	81.37	88.75	96.65
	65					49.61	59.89	64.45	71.82	78.45	85.56

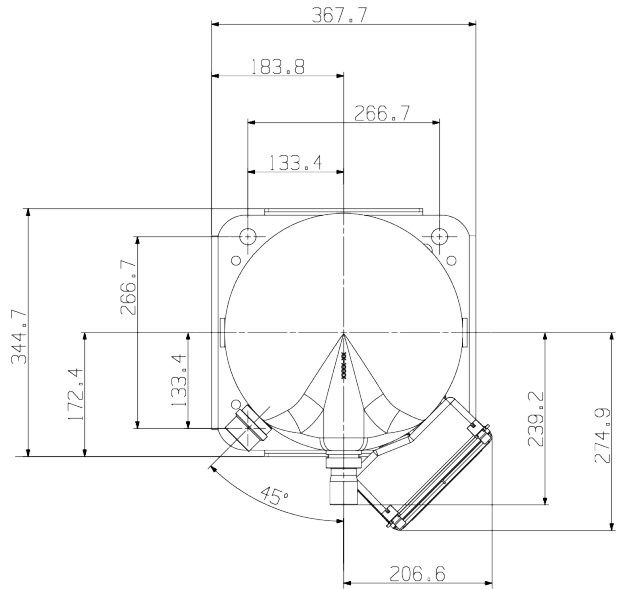
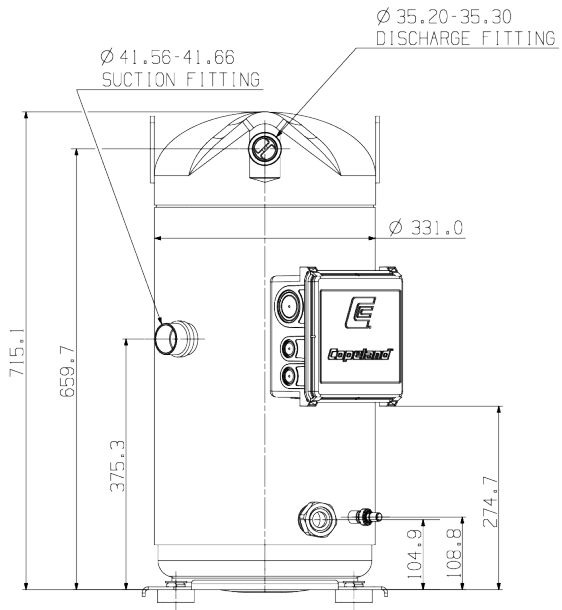
### Power consumption

		Evaporation temperature [°C]									
		-20	-15	-10	-5	0	5	7	10	12.5	15
Condensation temperature [°C]	25	14.46	14.67	14.94	15.25	15.60	15.98	16.13	16.38		
	30	16.21	16.33	16.52	16.76	17.06	17.41	17.56	17.79	18.00	18.21
	35	18.18	18.20	18.30	18.48	18.73	19.04	19.18	19.41	19.61	19.82
	40	20.40	20.32	20.33	20.44	20.64	20.92	21.05	21.26	21.46	21.67
	45		22.74	<b>22.66</b>	22.70	22.84	23.08	23.20	23.40	23.59	23.81
	50			25.33	25.29	25.38	25.57	25.68	25.87	26.06	26.26
	55				28.27	28.29	28.44	28.53	28.71	28.89	29.09
	60					31.63	31.73	31.81	31.97	32.14	32.34
	65					35.43	35.48	35.55	35.69	35.85	36.04

**Application range****Legend**

■ Suction gas superheating: 10 K

**Dimensions**





Producer: **Copeland**  
Line: **ZP**  
Cooling capacity [kW]: **50.15**  
Displacement [m<sup>3</sup>/h]: **60.8**  
Refrigerant: **R410A**  
Capacity control: **None**  
Power supply: **400V/3Ph/50Hz**

## Data

### Technical data

Displacement	[m <sup>3</sup> /h]	60.8
Oil charge	[l]	6.30
Oil type		POE RL32-3MAF
Internal free volume	[dm <sup>3</sup> ]	31.6
Net weight	[kg]	176.00

### Electrical data and limits

Power supply		400V/3Ph/50Hz
Maximum continuous current	[A]	65.4
Locked rotor amperage	[A]	310.0
Motor resistance main	[Ω]	0.36
Maximum suction pressure	[bar]	29.5
Maximum discharge pressure	[bar]	45.0
Maximum suction temperature	[°C]	50.0
Minimum suction temperature	[°C]	-35.0

### Dimensions

Suction tube diameter	[inch]	1 5/8
Discharge tube diameter	[inch]	1 3/8
Length	[mm]	447
Height	[mm]	724
Width	[mm]	427

### Other

Approved refrigerants	R410A
Allowed oil types	POE RL32-3MAF
Capacity control	None
Protection rating	IP54 (IEC34)

## Performance

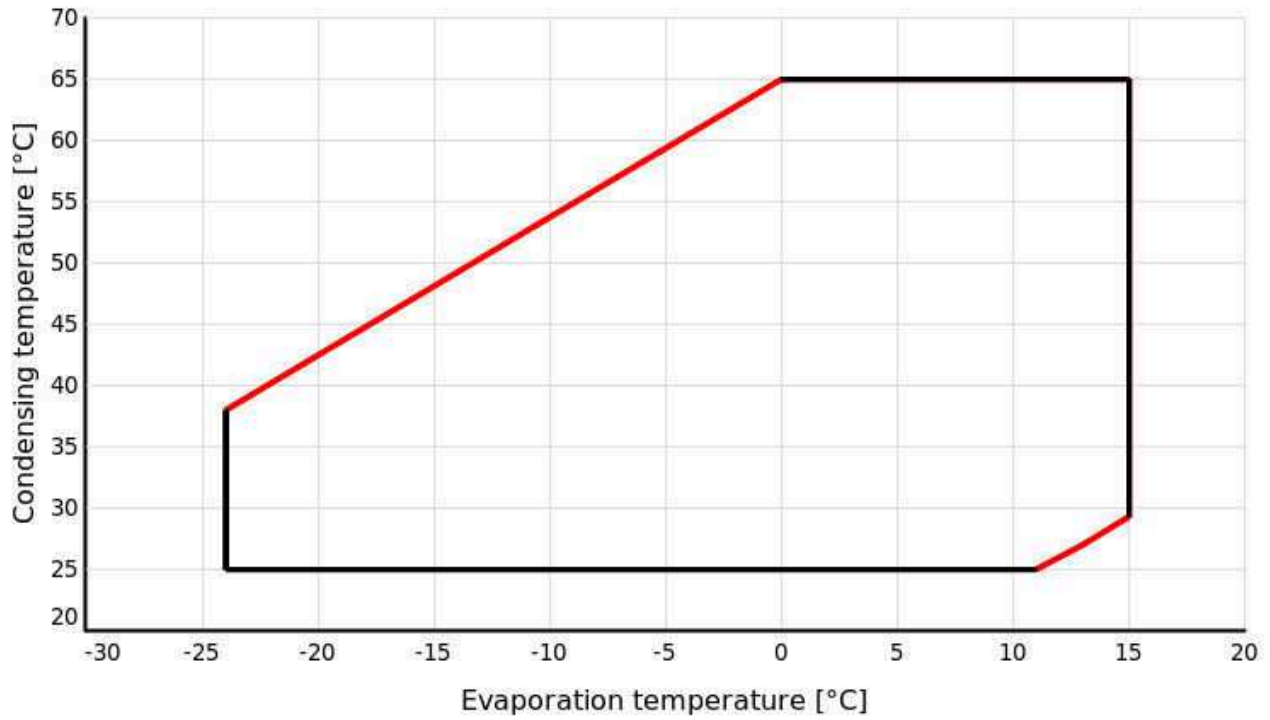
Nominal conditions: refrigerant: R410A, evaporation: -10°C (dew point), condensation: 45°C (dew point), superheating: 10K, subcooling: 0K

### Cooling capacity

		Evaporation temperature [°C]									
		-20	-15	-10	-5	0	5	7	10	12.5	15
Condensation temperature [°C]	25	42.39	52.50	64.32	78.04	93.87	112.00	119.93	132.61		
	30	39.92	49.65	60.99	74.14	89.30	106.66	114.27	126.42	137.26	148.77
	35	37.42	46.70	57.51	70.04	84.48	101.03	108.28	119.87	130.22	141.21
	40	34.87	43.67	53.90	65.75	79.42	95.10	101.97	112.97	122.79	133.24
	45		40.56	<b>50.15</b>	61.28	74.12	88.87	95.34	105.72	114.99	124.85
	50			46.27	56.60	68.56	82.32	88.37	98.08	106.76	116.02
	55				51.70	62.71	75.41	81.01	90.01	98.07	106.67
	60					56.47	68.03	73.14	81.37	88.75	96.65
	65					49.61	59.89	64.45	71.82	78.45	85.56

### Power consumption

		Evaporation temperature [°C]									
		-20	-15	-10	-5	0	5	7	10	12.5	15
Condensation temperature [°C]	25	14.46	14.67	14.94	15.25	15.60	15.98	16.13	16.38		
	30	16.21	16.33	16.52	16.76	17.06	17.41	17.56	17.79	18.00	18.21
	35	18.18	18.20	18.30	18.48	18.73	19.04	19.18	19.41	19.61	19.82
	40	20.40	20.32	20.33	20.44	20.64	20.92	21.05	21.26	21.46	21.67
	45		22.74	<b>22.66</b>	22.70	22.84	23.08	23.20	23.40	23.59	23.81
	50			25.33	25.29	25.38	25.57	25.68	25.87	26.06	26.26
	55				28.27	28.29	28.44	28.53	28.71	28.89	29.09
	60					31.63	31.73	31.81	31.97	32.14	32.34
	65					35.43	35.48	35.55	35.69	35.85	36.04

**Application range****Legend**

■ Suction gas superheating: 10 K

**Dimensions**

